

Figure 9 Component Layout Diagram Top



Figure 10 Component Layout Diagram - Bottom

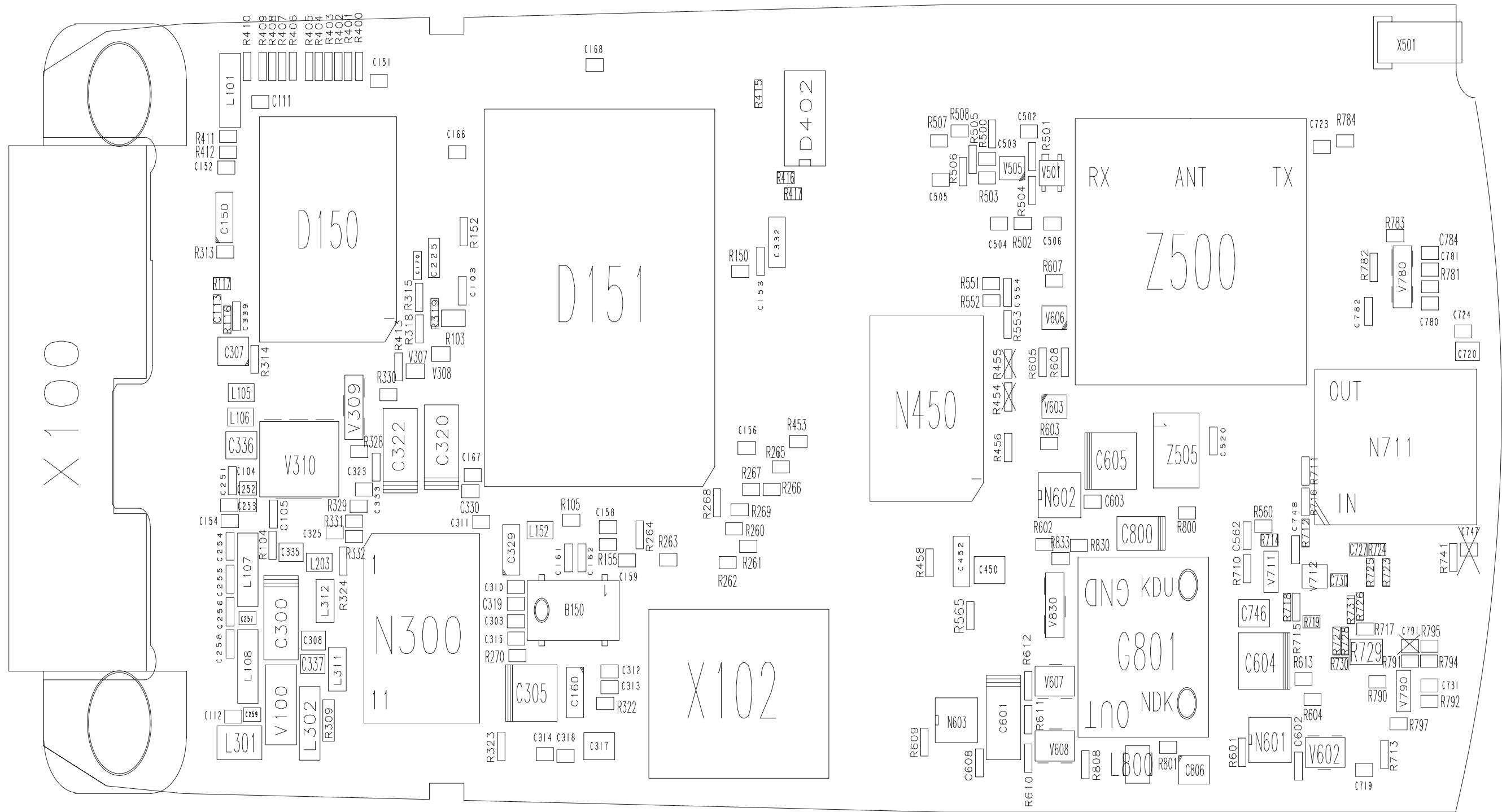


Figure 11 SYSTEM Block

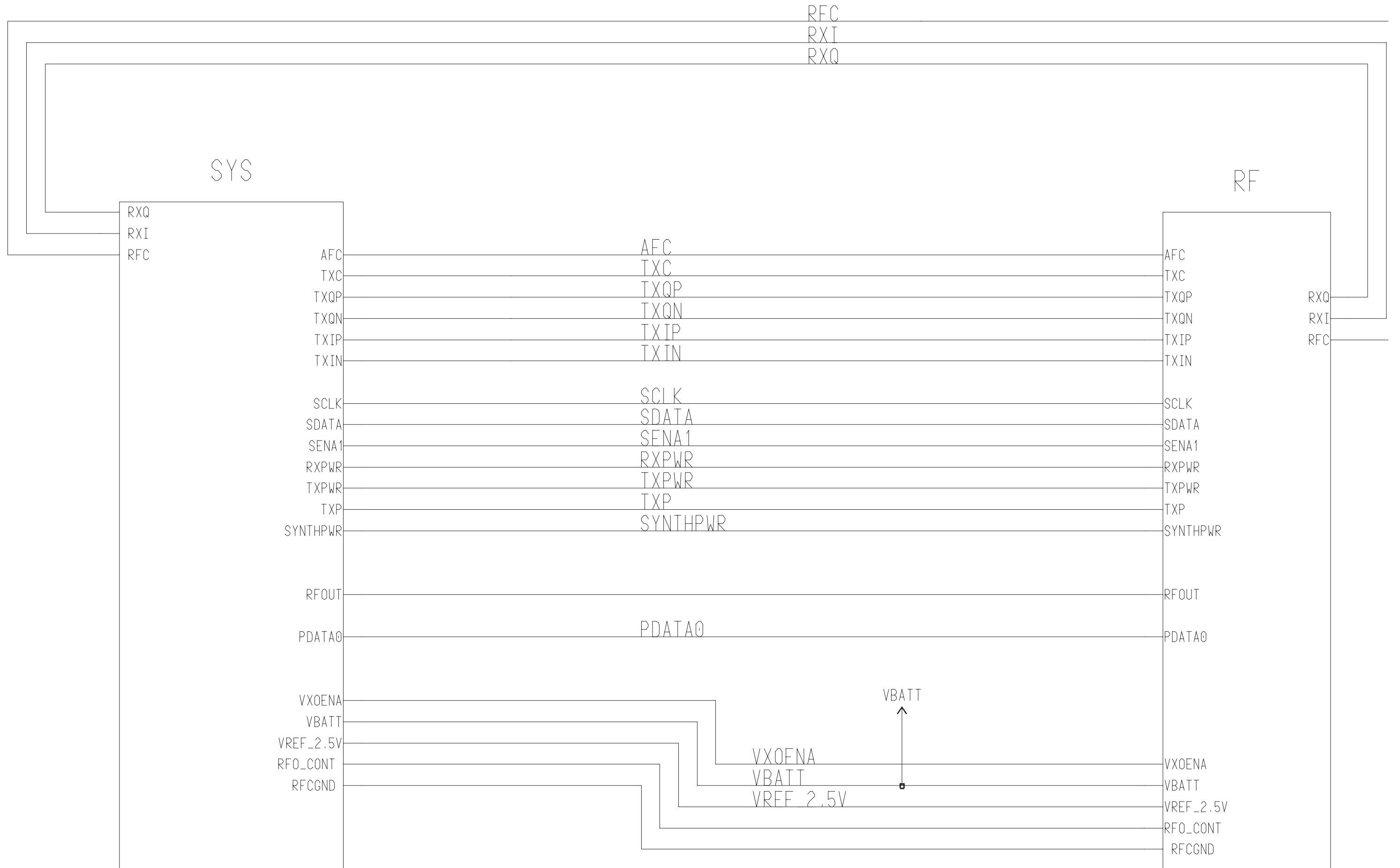


Figure 12 RX/TX Block

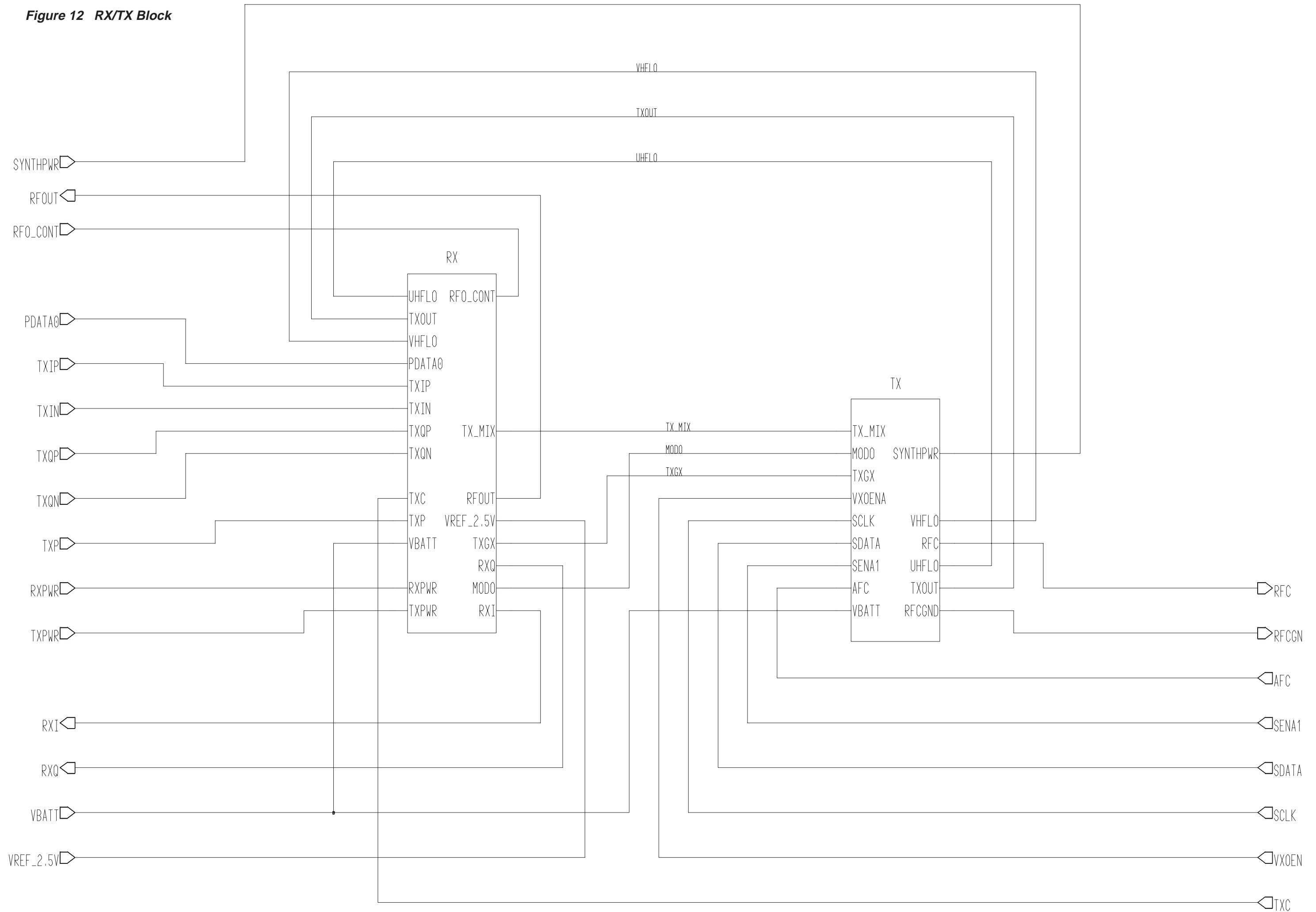


Figure 13 RX

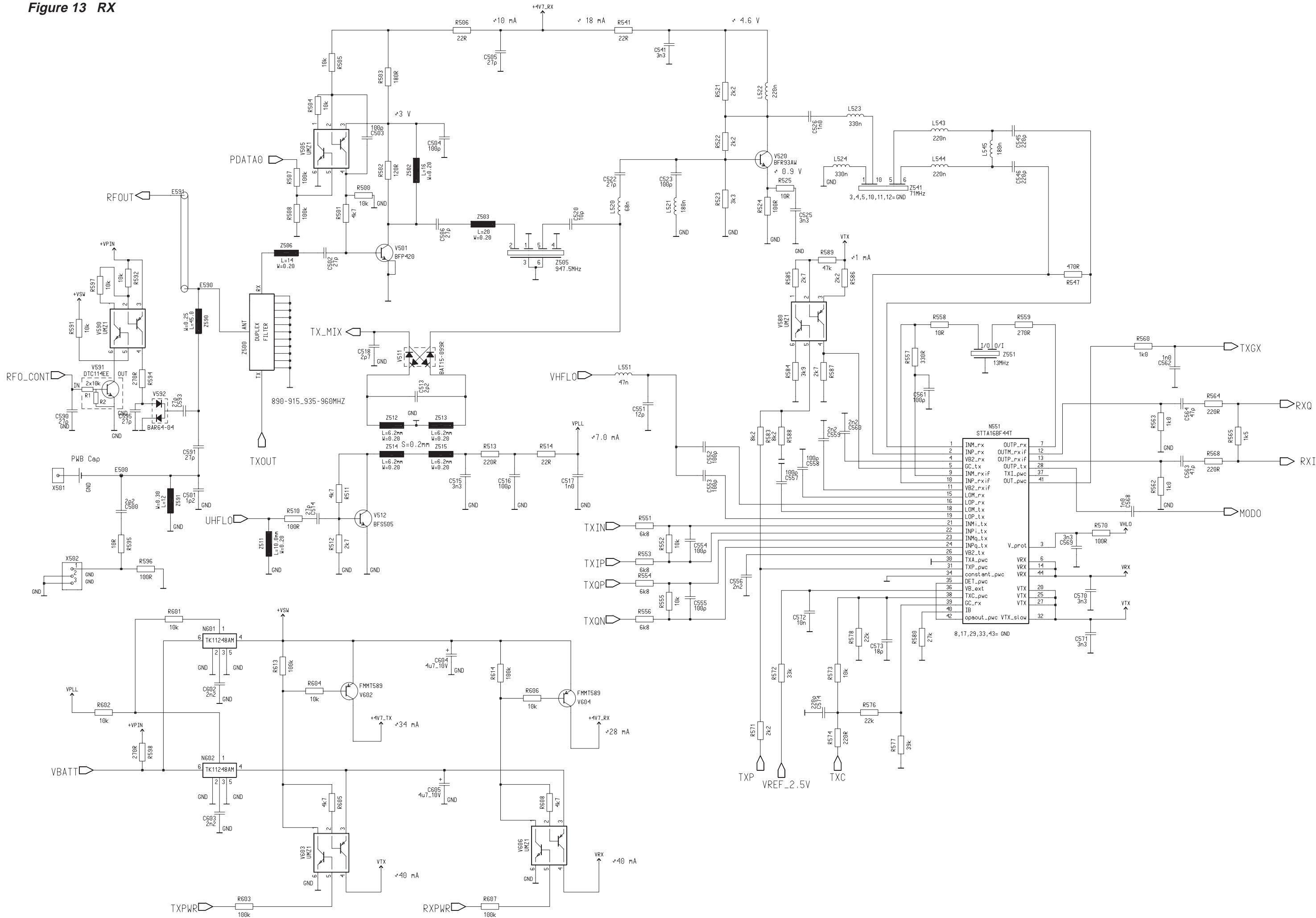
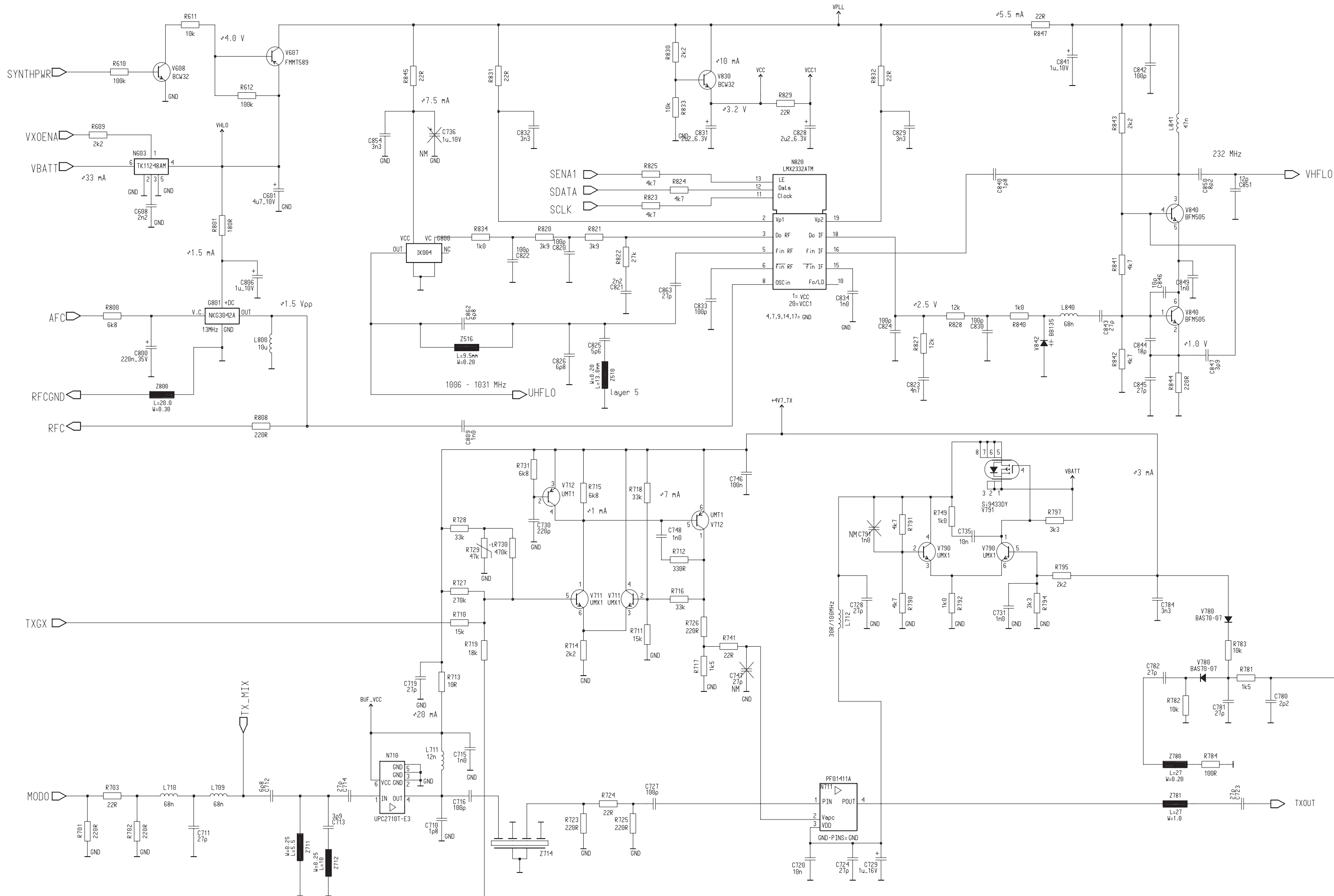


Figure 14 TX



GJ3 Version 09

Figure 15 Baseband

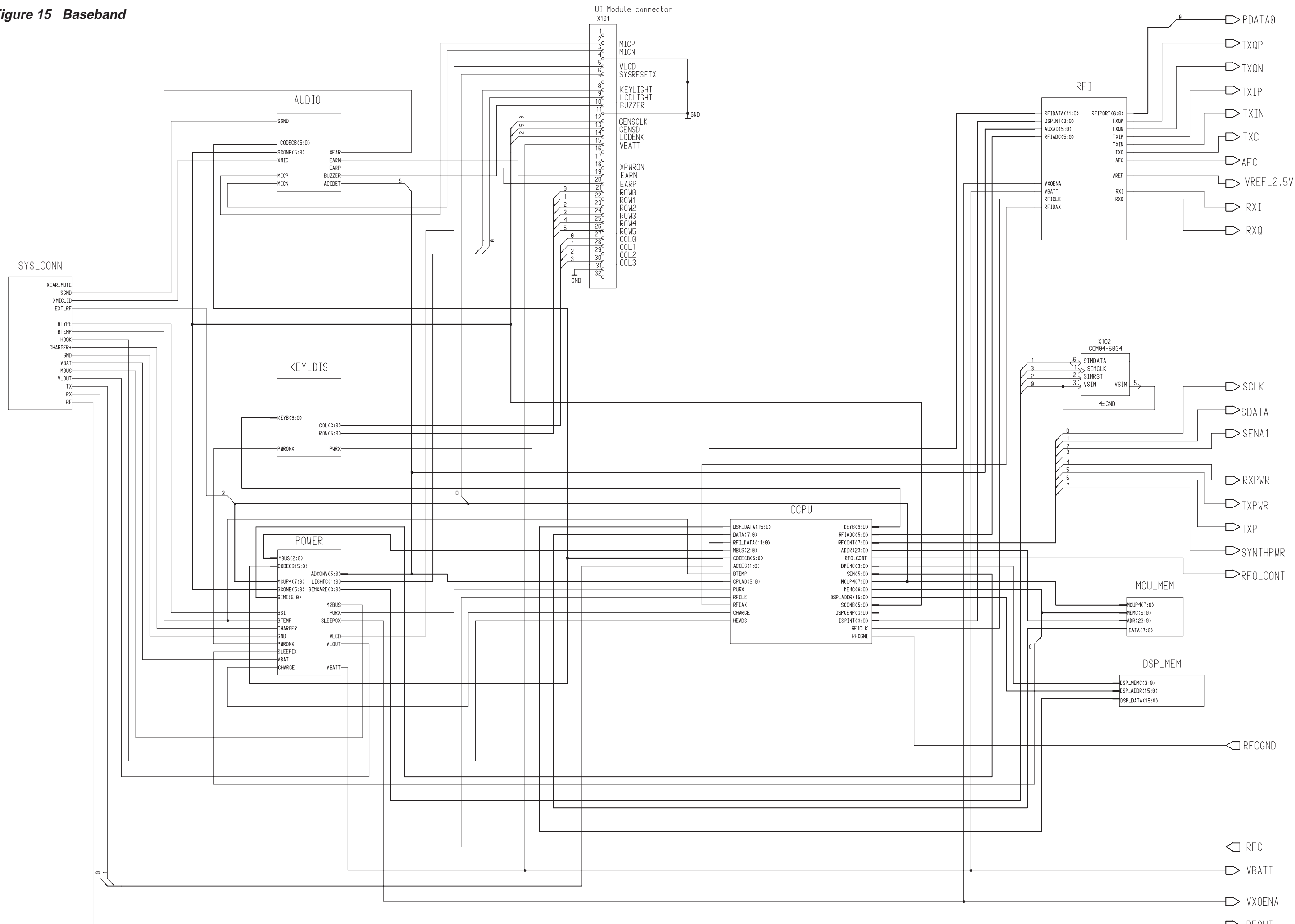


Figure 16 Audio

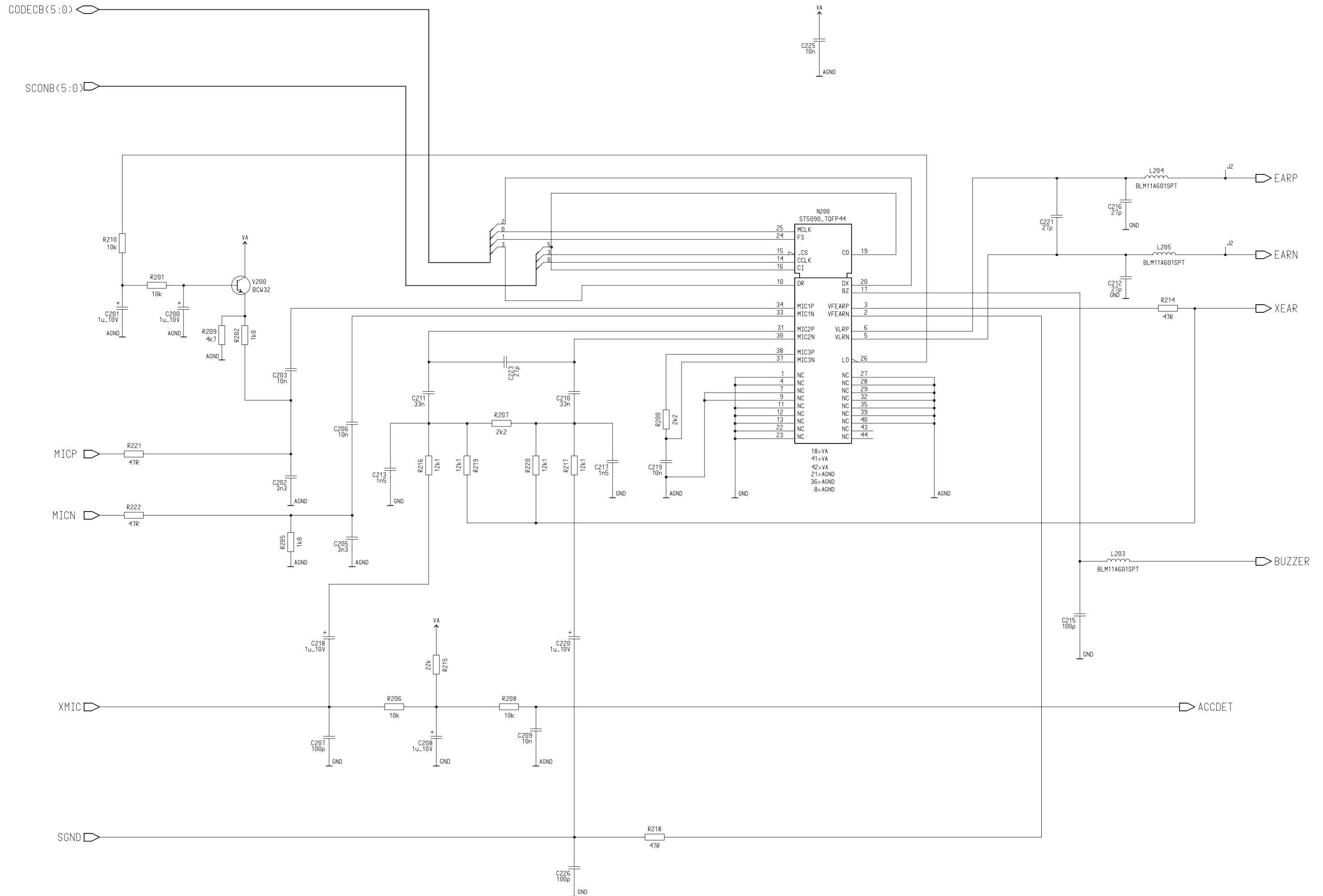




Figure 17 CPU

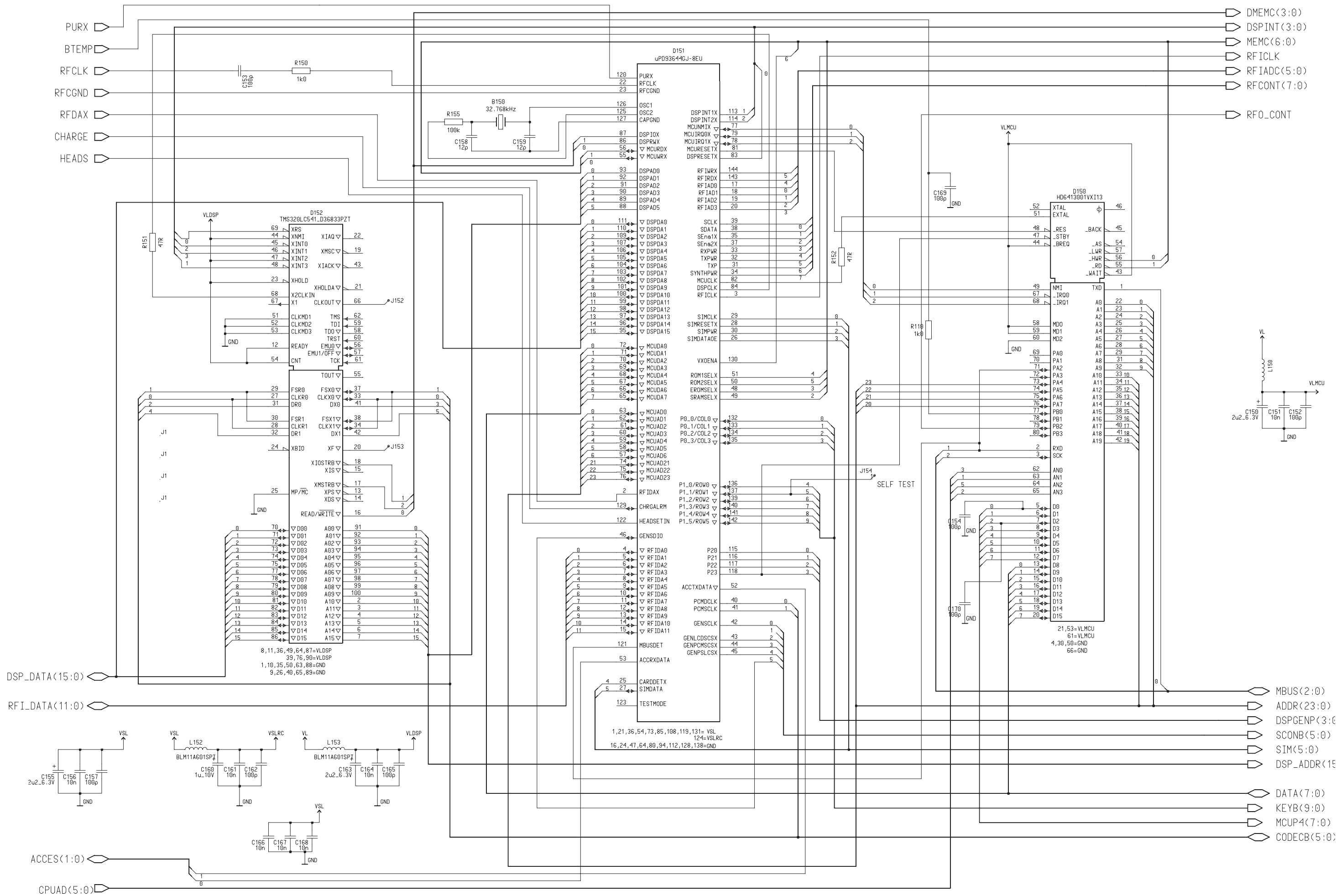


Figure 18 DSP Memory Blocks

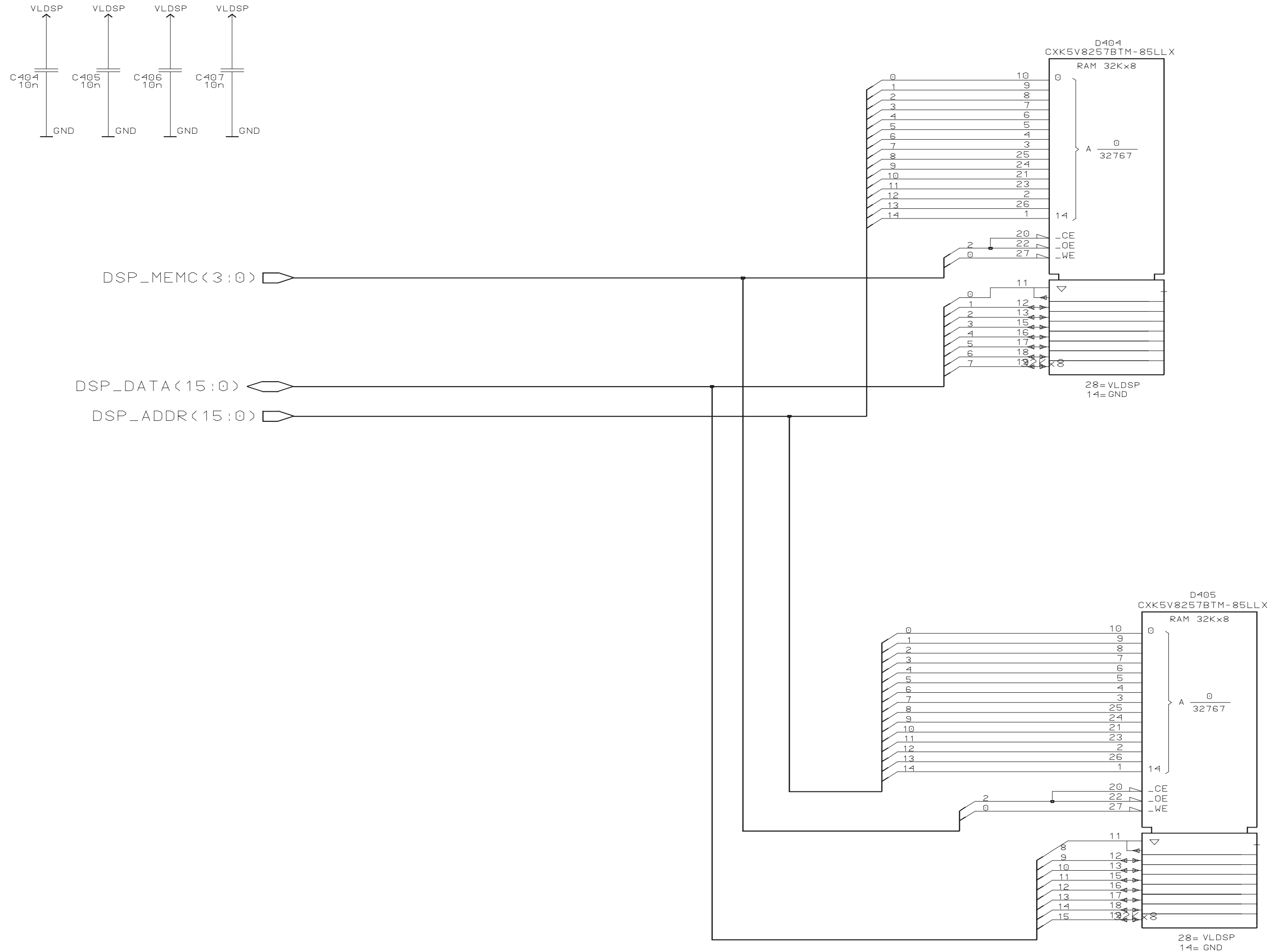


Figure 19 Keyboard /Display interface

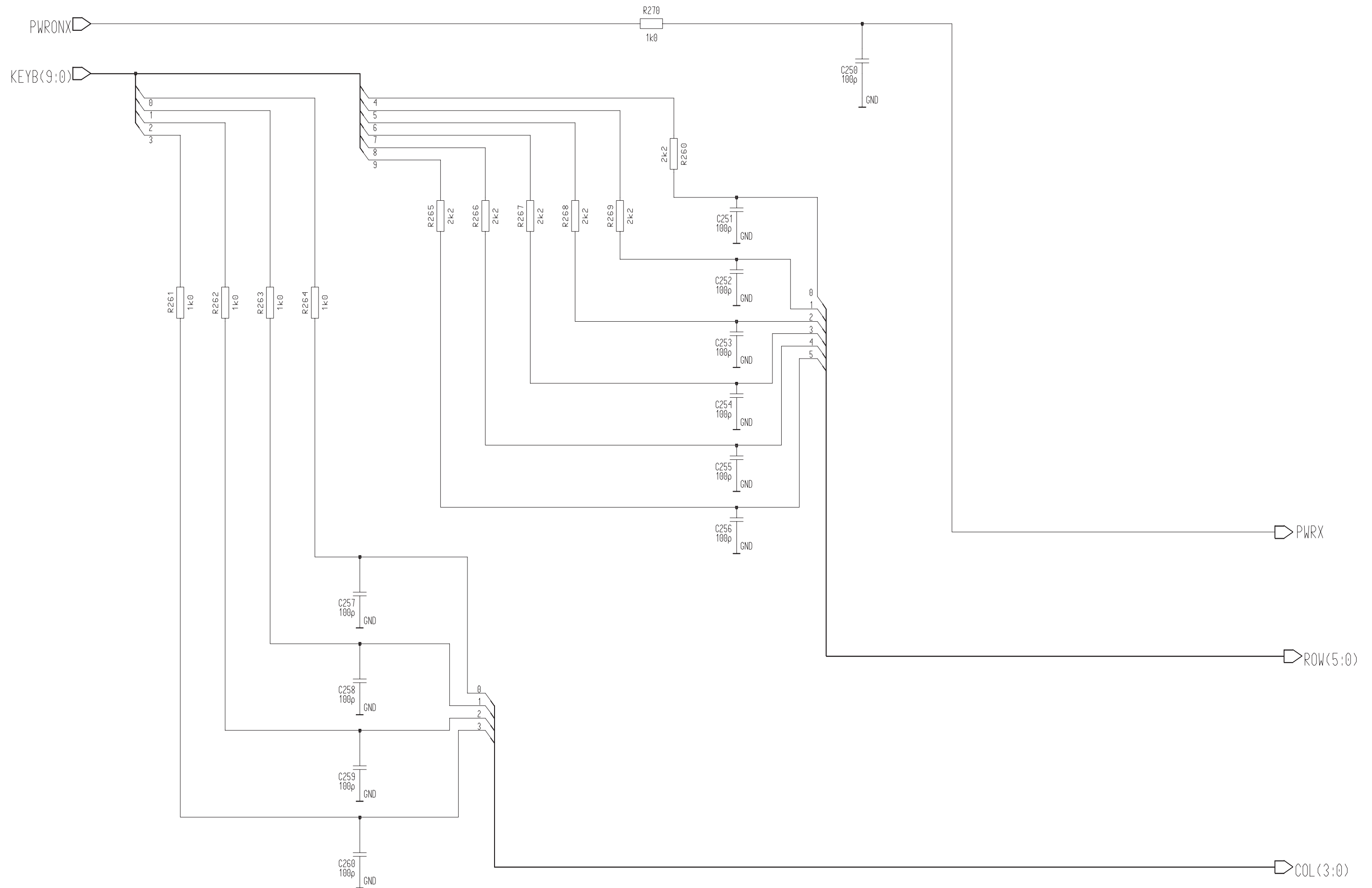
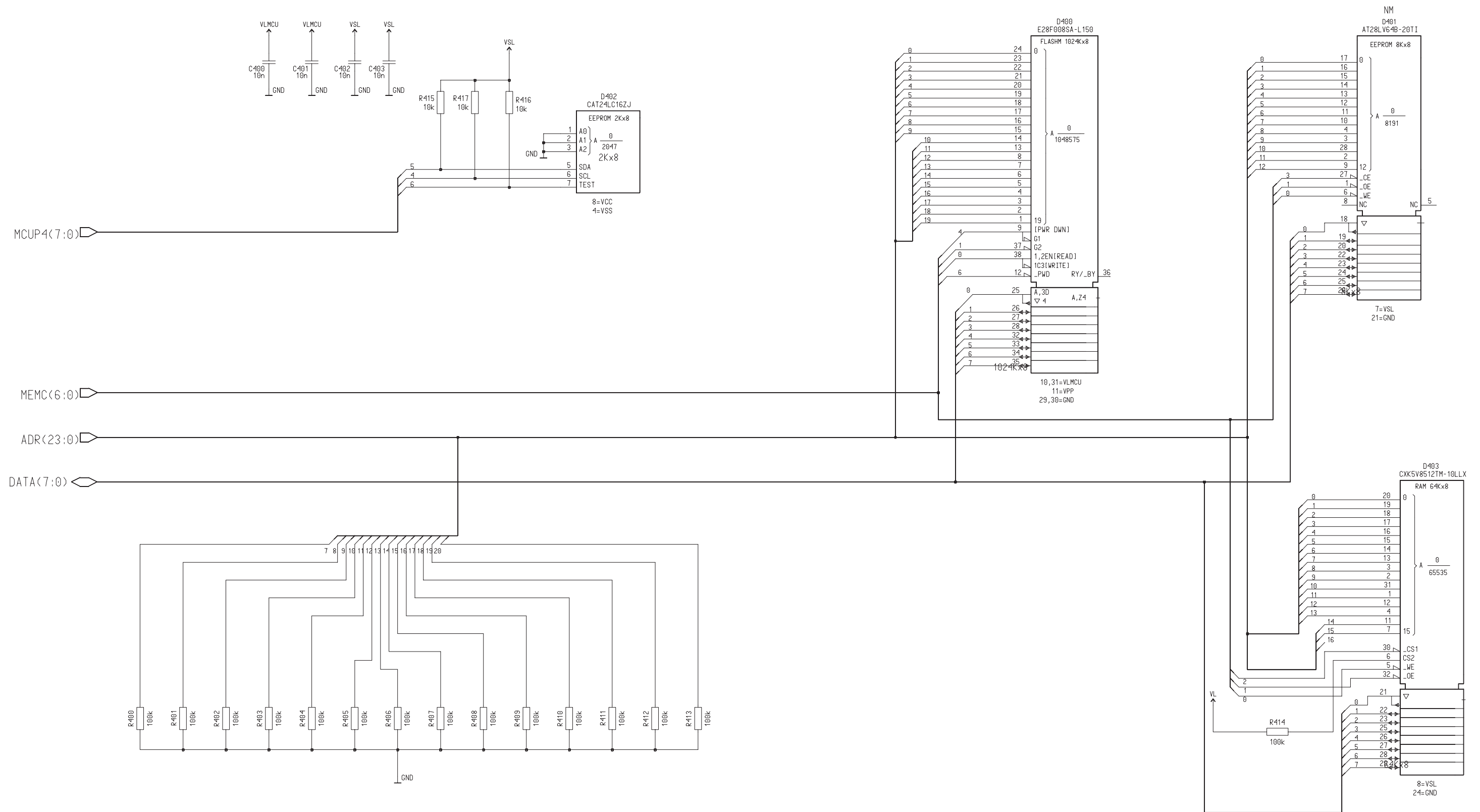


Figure 20 MCU memory Block



NM = NOT MOUNTED

Figure 21 Power Supply & Charging

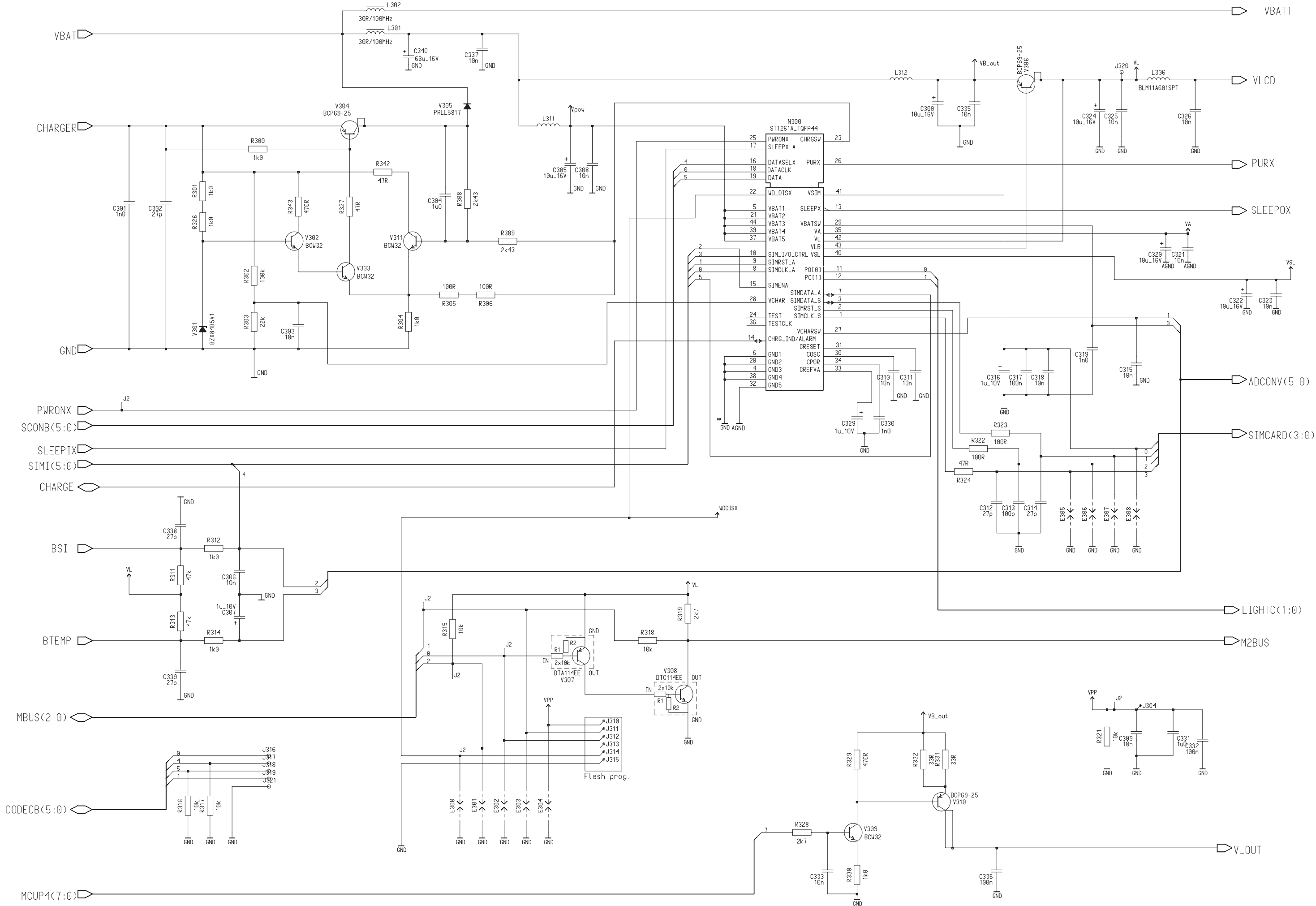




Figure 23 System Connector

